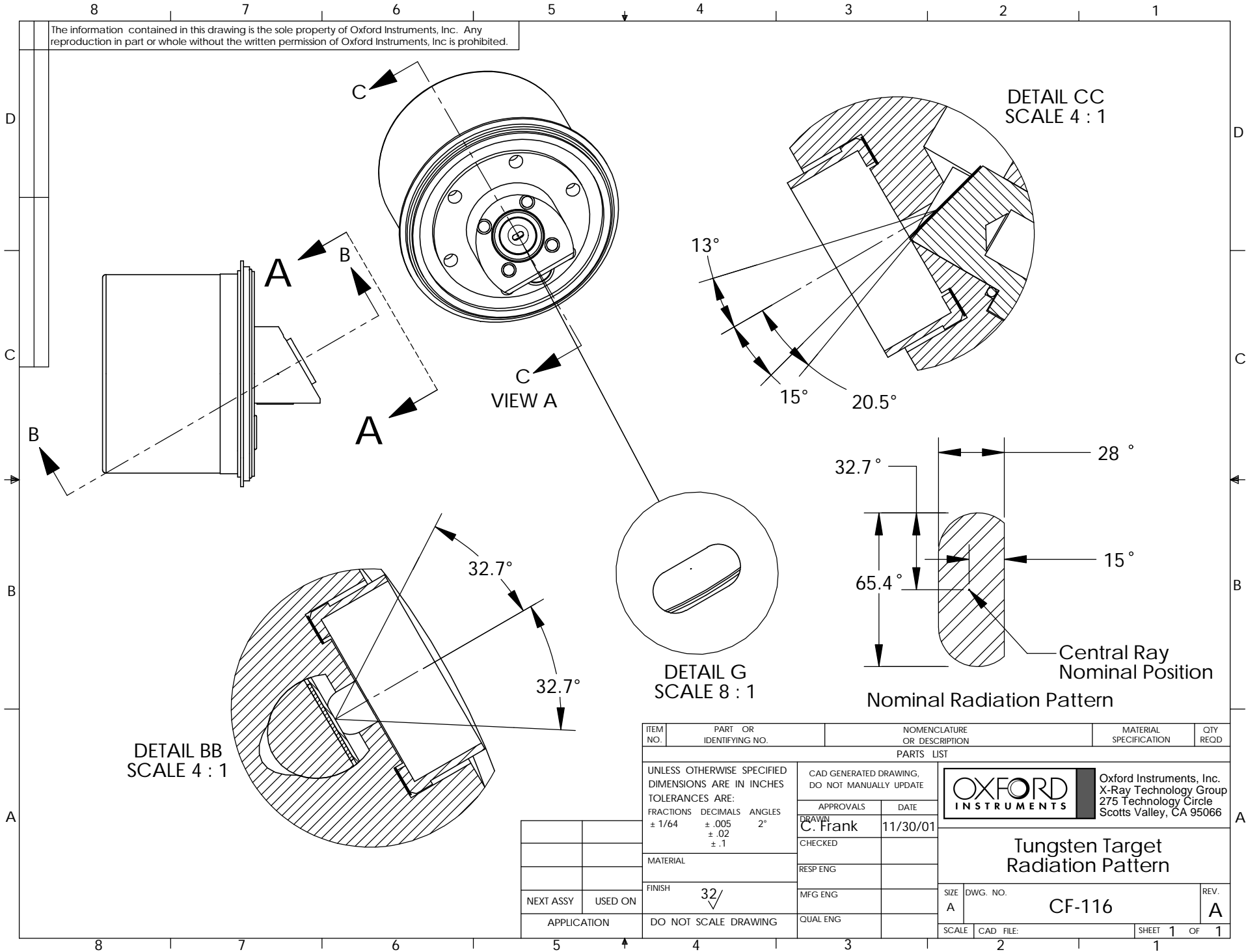


The information contained in this drawing is the sole property of Oxford Instruments, Inc. Any reproduction in part or whole without the written permission of Oxford Instruments, Inc is prohibited.



ITEM NO.	PART OR IDENTIFYING NO.	NOMENCLATURE OR DESCRIPTION	MATERIAL SPECIFICATION	QTY REQD
PARTS LIST				
UNLESS OTHERWISE SPECIFIED DIMENSIONS ARE IN INCHES		CAD GENERATED DRAWING, DO NOT MANUALLY UPDATE		
TOLERANCES ARE:		APPROVALS	DATE	
FRACTIONS	DECIMALS	ANGLES		
± 1/64	± .005	2°		
	± .02			
	± .1			
MATERIAL		DRAWN C. Frank		
FINISH		CHECKED		
32/		RESP ENG		
NEXT ASSY	USED ON	MFG ENG		
APPLICATION		QUAL ENG		
DO NOT SCALE DRAWING		SIZE A		
		DWG. NO.		REV.
		CF-116		A
SCALE	CAD FILE:	SHEET 1 OF 1		

OXFORD INSTRUMENTS
 Oxford Instruments, Inc.
 X-Ray Technology Group
 275 Technology Circle
 Scotts Valley, CA 95066

Tungsten Target Radiation Pattern

SIZE A DWG. NO. CF-116 REV. A

SCALE CAD FILE: SHEET 1 OF 1