

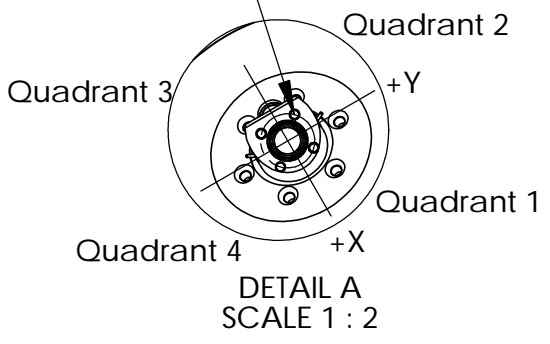
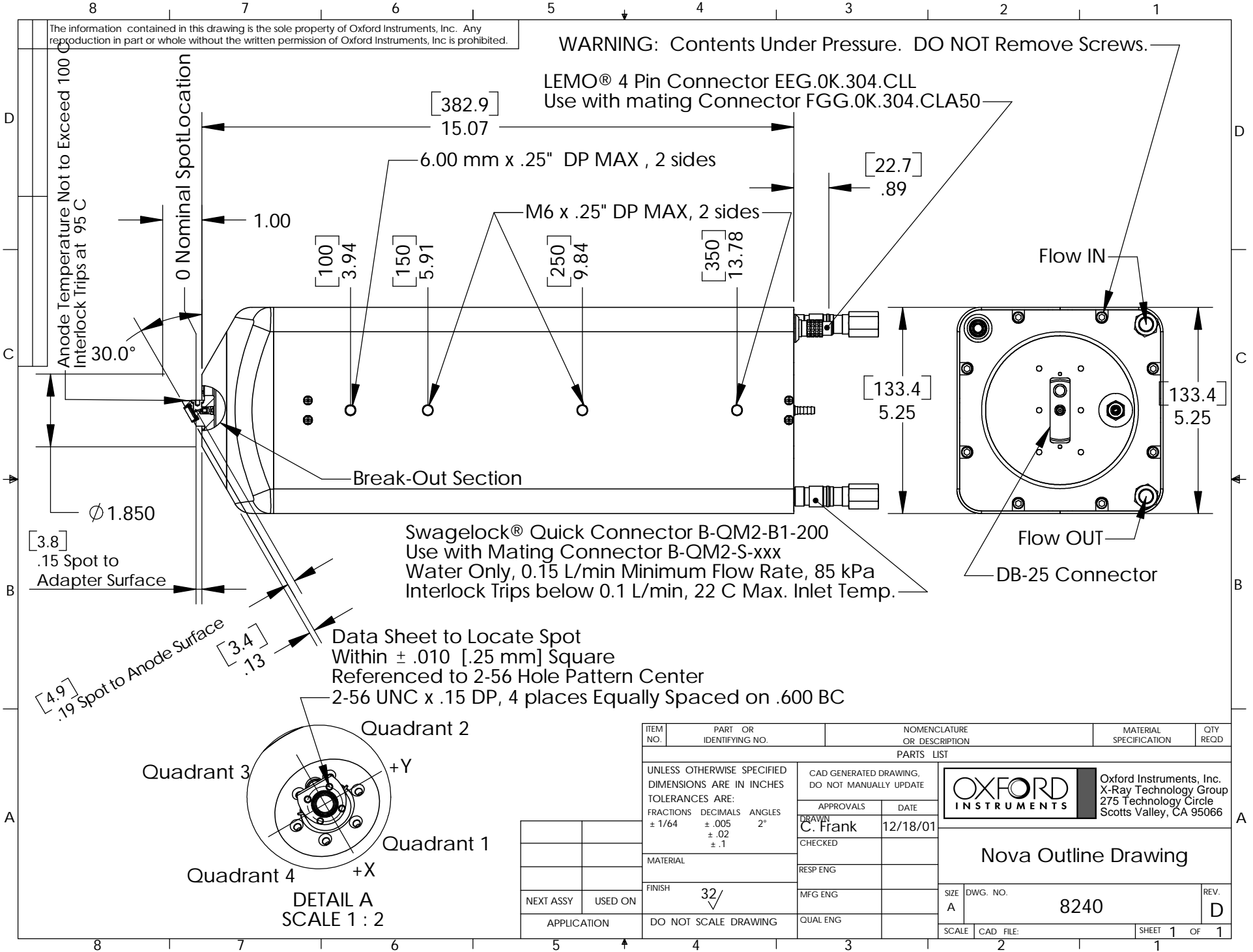
The information contained in this drawing is the sole property of Oxford Instruments, Inc. Any reproduction in part or whole without the written permission of Oxford Instruments, Inc is prohibited.

WARNING: Contents Under Pressure. DO NOT Remove Screws.

LEMO® 4 Pin Connector EEG.0K.304.CLL
Use with mating Connector FGG.0K.304.CLA50

Swagelock® Quick Connector B-QM2-B1-200
Use with Mating Connector B-QM2-S-xxx
Water Only, 0.15 L/min Minimum Flow Rate, 85 kPa
Interlock Trips below 0.1 L/min, 22 C Max. Inlet Temp.

Data Sheet to Locate Spot
Within ± .010 [.25 mm] Square
Referenced to 2-56 Hole Pattern Center
2-56 UNC x .15 DP, 4 places Equally Spaced on .600 BC



NEXT ASSY	USED ON
APPLICATION	DO NOT SCALE DRAWING

ITEM NO.	PART OR IDENTIFYING NO.	NOMENCLATURE OR DESCRIPTION	MATERIAL SPECIFICATION	QTY REQD
PARTS LIST				
UNLESS OTHERWISE SPECIFIED DIMENSIONS ARE IN INCHES		CAD GENERATED DRAWING, DO NOT MANUALLY UPDATE		
TOLERANCES ARE:		APPROVALS		
FRACTIONS	DECIMALS	ANGLES	DATE	
± 1/64	± .005	2°	DRAWN C. Frank 12/18/01	
	± .02		CHECKED	
	± .1		RESP ENG	
MATERIAL		MFG ENG		
FINISH 32/		QUAL ENG		
SIZE A	DWG. NO. 8240		REV. D	
SCALE	CAD FILE:		SHEET 1 OF 1	

OXFORD INSTRUMENTS
Oxford Instruments, Inc.
X-Ray Technology Group
275 Technology Circle
Scotts Valley, CA 95066

Nova Outline Drawing