

# 80kV X-Ray Source

## Integrated X-Ray Tube and Power Supply



Oxford Instruments' 80 kV X-Ray Source is an integrated power supply and X-ray tube combination featuring the Oxford Instruments Series 1500 50 micron small spot X-ray tube.

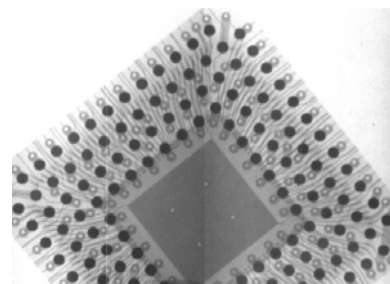
The 80 kV X-Ray Source is designed specifically for X-ray imaging applications and features a compact design with very high stability affording superior imaging quality.

### Specifications

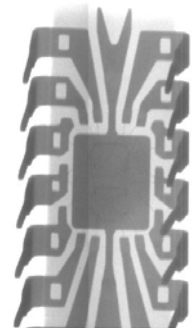
P/N 97008

Max Anode current	10 to 500 $\mu$ A
Anode Voltage	35 to 80 kV
Maximum power	15 W
Filament Voltage	Up to 3.0 V @ 75 kV, .2 mA
Filament Current	Up to 1.5 A
Duty Cycle	CW (100 CFM airflow required)
Focal Spot Size (Nominal*)	40 $\mu$ m
Cathode Type	W filament
Ripple	1% RMS @ 80 KVP, 250 mA
Temp Stability	0.01%/C deg per hour
Rise Time	250 ms from standby
Size	5.37" W, 9.95" L, 5.25" H
Weight	7.25 kg
Insulation	Electrical grade oil
Operating Temp	+10 to +35 deg C
Humidity	Max 95%
Regulatory Standards	UL,CUL,VDE, TUV as required by law

\*nominal per IEC336, JISZ47045, NEMA XR5

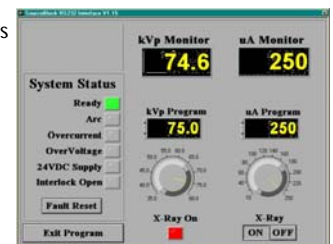


Ball Grid Array 70kV, 0.15mA



IC Chip 70kV, 0.2mA

RS232 Digital Interface requires a Windows PC and a properly configured Serial COM Port.



Safety Interlocks include 24VDC on/off relay, polyswitches on input line, KVP overvoltage fault at 80kVP, Emission current fault at 220 uA, KVP.

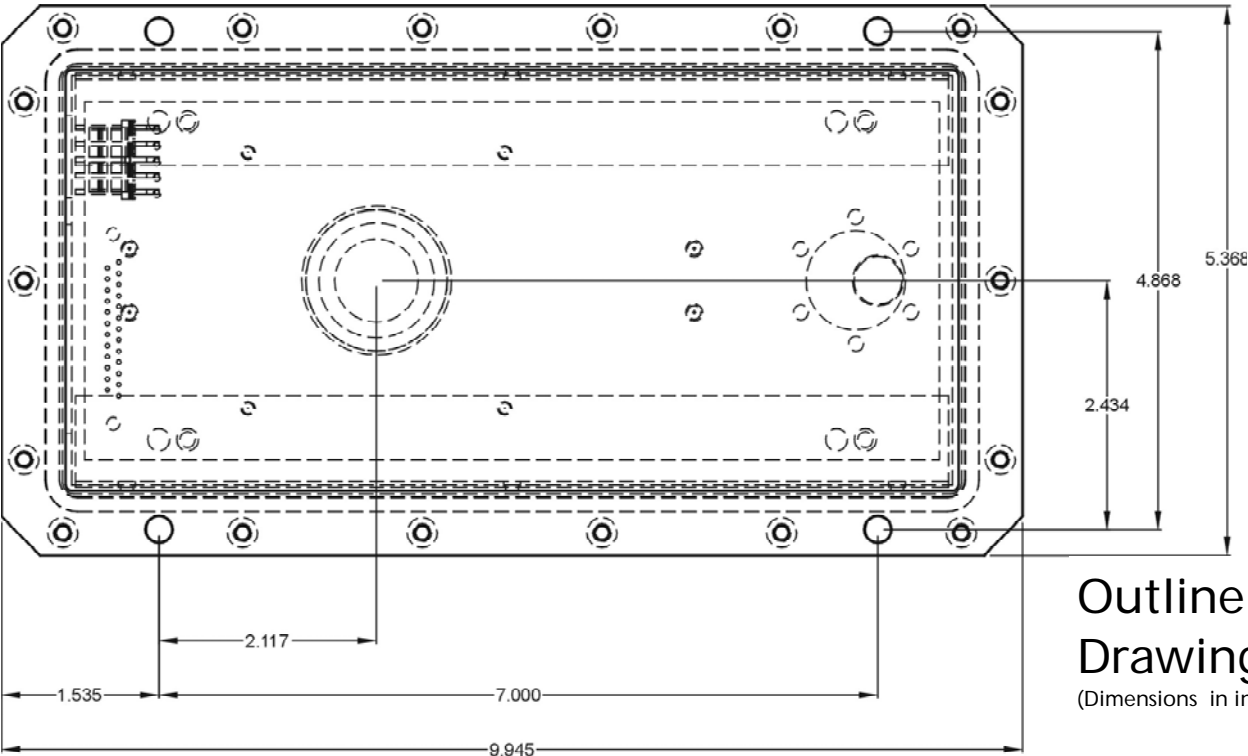
E-mail: sales@oxfordxtg.com Web site: www.oxfordxtg.com

DS031 Rev. D

X-Ray Technologies, Inc.  
360 El Pueblo Rd, Ste 104  
Scotts Valley, CA 95066  
Phone (831) 439-9729  
Fax (831) 439-6050



# 80kV X-Ray Source



Outline Drawing  
(Dimensions in inches)

