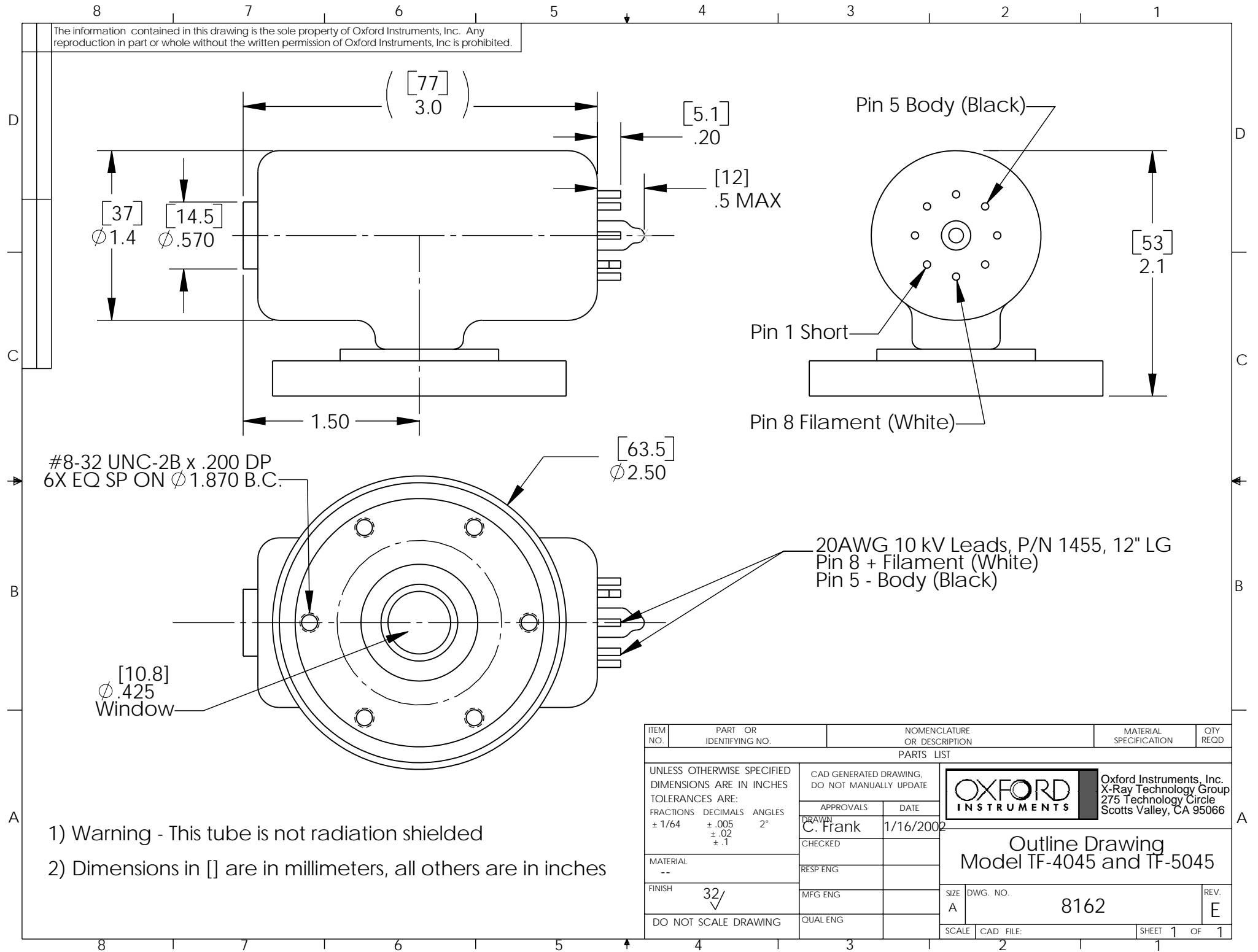


The information contained in this drawing is the sole property of Oxford Instruments, Inc. Any reproduction in part or whole without the written permission of Oxford Instruments, Inc is prohibited.



- Warning - This tube is not radiation shielded
- Dimensions in [ ] are in millimeters, all others are in inches

ITEM NO.	PART OR IDENTIFYING NO.	NOMENCLATURE OR DESCRIPTION	MATERIAL SPECIFICATION	QTY REQD.
PARTS LIST				
UNLESS OTHERWISE SPECIFIED DIMENSIONS ARE IN INCHES TOLERANCES ARE:		CAD GENERATED DRAWING, DO NOT MANUALLY UPDATE		
FRACTIONS	DECIMALS	ANGLES		
$\pm 1/64$	$\pm .005$	2°		
	$\pm .02$			
	$\pm .1$			
MATERIAL	--	APPROVALS	DATE	
FINISH	32 $\sqrt$	C. Frank	1/16/2002	
DO NOT SCALE DRAWING		CHECKED		
		RESP ENG		
		MFG ENG		
		QUAL ENG		
		SIZE	DWG. NO.	REV.
		A	8162	E
SCALE	CAD FILE:		SHEET 1 OF 1	



Oxford Instruments, Inc.  
X-Ray Technology Group  
275 Technology Circle  
Scotts Valley, CA 95066

Outline Drawing  
Model TF-4045 and TF-5045